

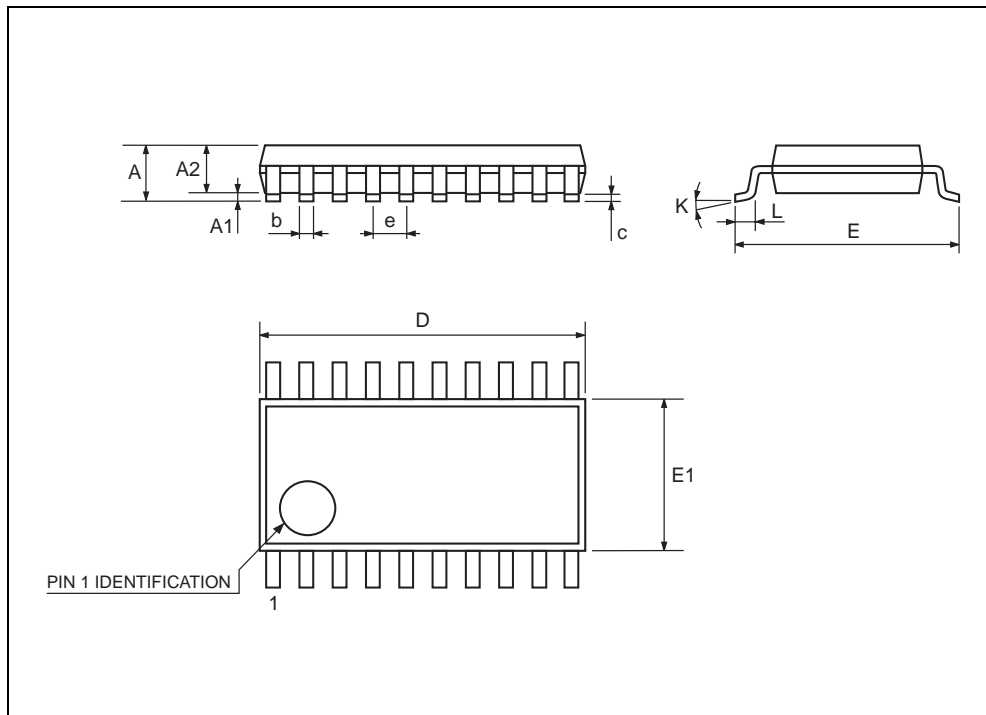
DIMENSIONS						
REF.	mm			inch		
	MIN.	TYP.	MAX.	MIN.	TYP.	MAX.
A			1.2			0.047
A1	0.05		0.15	0.002	0.004	0.006
A2	0.8	1	1.05	0.031	0.039	0.041
b	0.19		0.30	0.007		0.012
c	0.09		0.20	0.004		0.0079
D	6.4	6.5	6.6	0.252	0.256	0.260
E	6.2	6.4	6.6	0.244	0.252	0.260
E1	4.3	4.4	4.48	0.169	0.173	0.176
e		0.65			0.0256	
K	0°		8°	0°		8°
L	0.45	0.60	0.75	0.018	0.024	0.030



**20-LEAD THIN SHRINK
SMALL OUTLINE**

Weight: not available

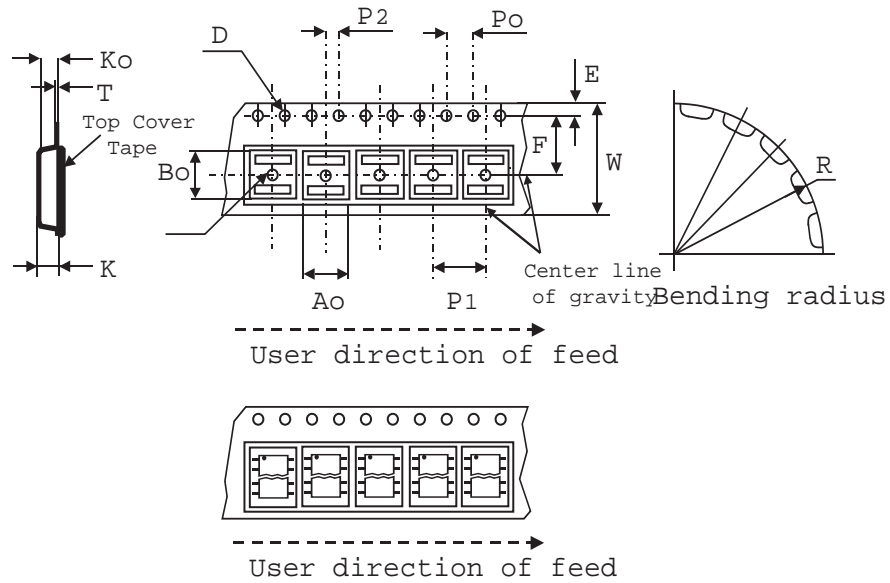
TSSOP20



TSSOP20 PACKAGE AND PACKING INFORMATION

TAPE & REEL SHIPMENT INFORMATION

TAPE SPECIFICATIONS

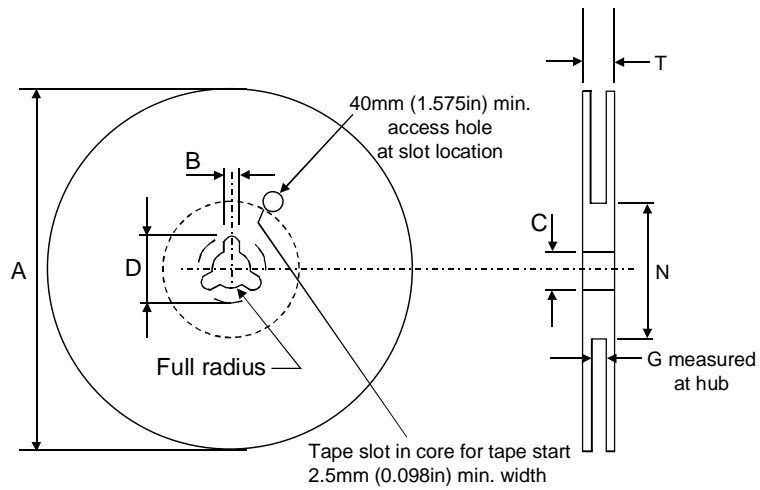


TAPE MECHANICAL DATA		
	mm.	inch
D	1.50 +0.1/0	0.059 +0.004/0
E	1.75 ±0.1	0.069 ±0.004
Po	4.00 ±0.1	0.157 ±0.004
T max.	0.40	0.016
D1 min.	1.50	0.059
F	7.5 ±0.05	0.295 ±0.002
K max.	6.50	0.256
P2	2.00 ±0.05	0.079 ±0.002
R	40	1.575
W	16.00 ±0.30	0.630 ±0.012
P1	12.00	0.472
Ao, Bo, Ko	0.05 min to 0.90 max.	0.002 min to 0.035 max.

BASE QUANTITY	2500 pcs.
BULK QUANTITY	2500 pcs.

TSSOP20 PACKAGE AND PACKING INFORMATION

TAPE & REEL SHIPMENT INFORMATION
REEL SPECIFICATIONS

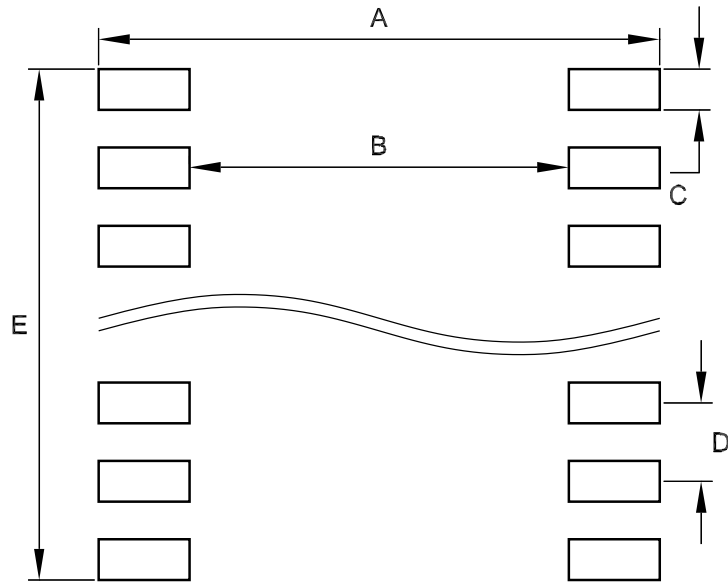


REEL MECHANICAL DATA

	mm.	inch
Tape size	16.0 ±0.30	0.630 ±0.012
A max.	330.0	12.992
B min.	1.5	0.059
C	13.0 ±0.20	0.512 ±0.008
D min.	20.2	0.795
N min.	60	2.362
G	16.4 +2/-0	0.646 +0.079/-0
T max.	22.4	0.882

TSSOP20 PACKAGE AND PACKING INFORMATION

FOOTPRINT RECOMMENDED DATA



FOOTPRINT DATA		
	mm.	inch
A	7.26	0.286
B	4.93	0.194
C	0.36	0.014
D	0.65	0.025
E	6.21	0.244